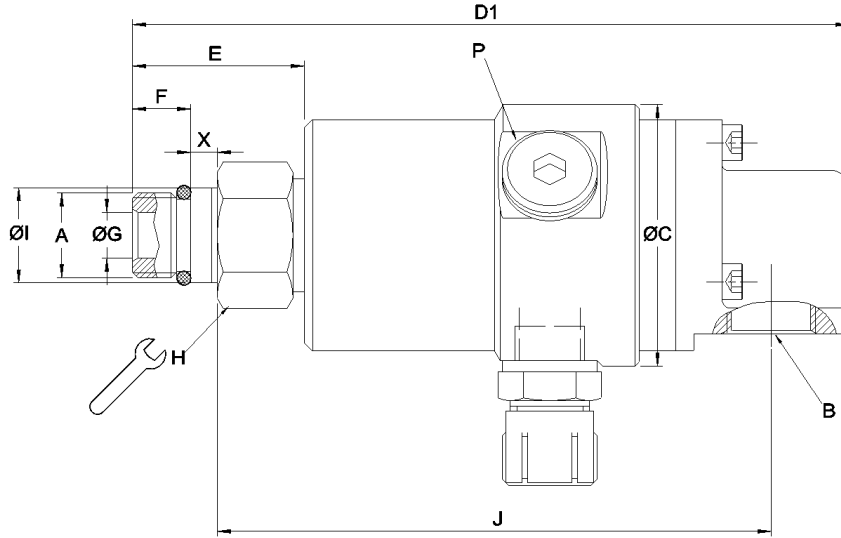


902-140-188

- Single passage for coolant or MQL
- Pop-Off™ technology allows unlimited dry running without media pressure
- Full-flow design has no obstructions to trap swarf or debris
- Bearing-supported with threaded rotor for easy installation
- Deep groove radial ball bearings for smooth operation
- Labyrinth system and large vents to protect ball bearings
- Balanced mechanical seals made from silicon carbide for long life even under difficult operating conditions
- Anodized aluminum housing resists corrosion

ÖLÇÜLER



A	M16x1.5 LH
B	3/8"-19 PT
C	49.5 mm
D1	135 mm
E	32.2 mm
F	16 mm
G	8.7 mm
H	23.8 mm
I	17.993 mm
J	105 mm
P	PT 1/4"-19
X	4.83 mm

ÇALIŞMA ÖZELLİKLERİ

Kullanım Alanı	MQL, Coolant
Rotor Bağlantısı	M16*1.5 LH, 17.993 mm pilot
Giriş Bağlantısı	3/8"-19 PT
Coolant Max. Akış Hızı	82 l/dk.
Coolant Max. Basınç	69 bar
Coolant Max. Sıcaklık	71 °C
MQL Max. Akış Hızı	2040 l/dk.
MQL Max. Basınç	10 Bar
MQL Max. Sıcaklık	71 °C