

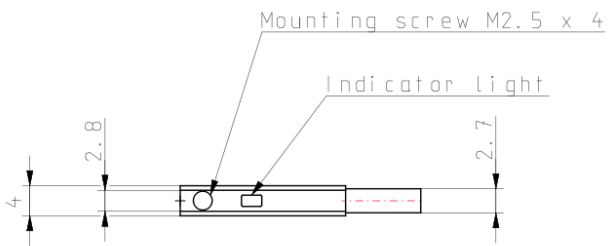
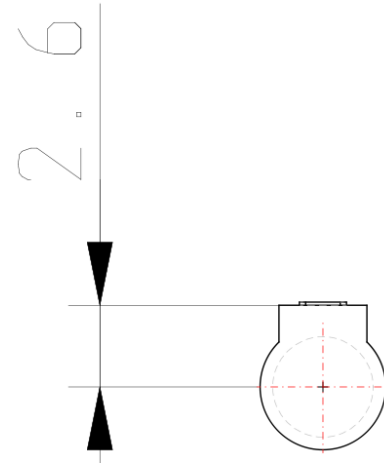
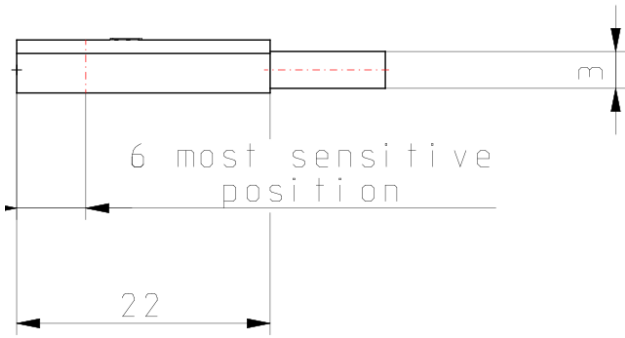
M9N/M9P/M9B, Solid State Switch, Direct Mounting, Grommet, In-line D-M9B

Veri Sayfası

SMC offers a variety of auto switches for actuators and air grippers.; Solid state switches are available in a general purpose type or with 2-colour indication, which allows the optimum operating position to be determined by the colour of the light.; Solid state switches are also available in 2-colour indication with diagnostic output, water resistant 2-colour indication, built-in OFF-delay timer (200 ms), magnetic field resistant, heat resistant and wide range detection configurations.; Various lead wire lengths are available.

Model	M9B (2-wire)
Lead Wire Length	0.5 m
Conform to the European RoHS Directive	Conform
Approvals	CE
Electrical entry direction	In-line
Applicable load	24 VDC relay, PLC
Load voltage	24 VDC (10 to 28 VDC)
Load current	2.5 to 40 mA
Internal voltage drop	4 V or less
Wiring type	2-wire
Leakage current	0.8 mA or less
Weight	0.007 Kg

Ölçüler



Ek Bilgi

Katalog

[AutoSwitch-guide-A_EU.pdf](#)